

WIRE PULLER

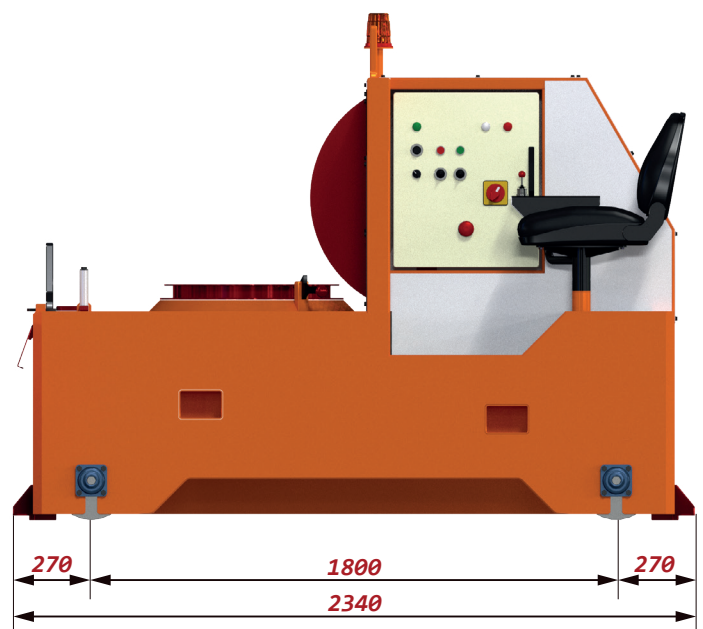
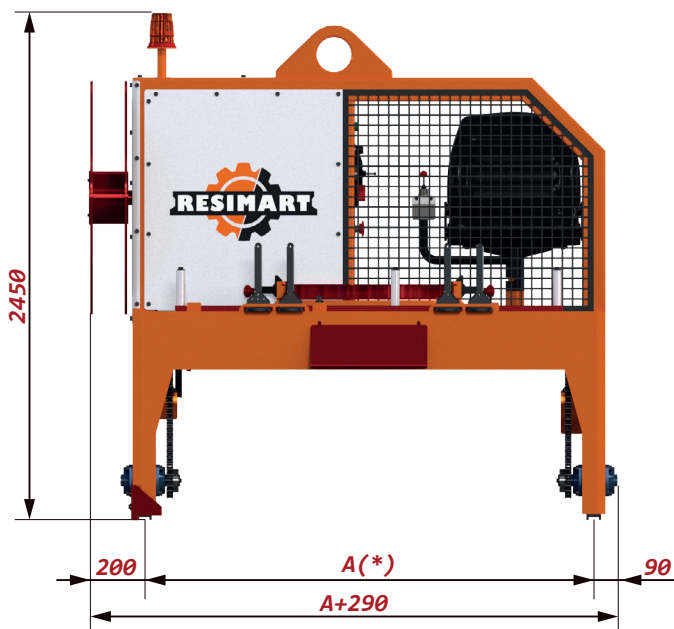


Weight	1500 kg
Total Power	5.2 KW
Carrying Speed	Up to 50 m/min
Return Speed	100 m/min
Max. Wires Pulled	20 units



Resimart© Strand Pulling Machine turns the operation of taking the strands from one to the other end of the casting bed into a fast, easy operation, thanks to the double speed system.

- Resimart© Wire Pulling Machine can simultaneously carry up to 20 wires, speeding the task of preparing the track for concrete casting.
- Includes an electric cable reel.
- Optionally, it can be delivered with a special system in order to spray release agent on the casting beds.
- If requested by the client, the machine can be equipped with a remote control driver.



(* According to model)