

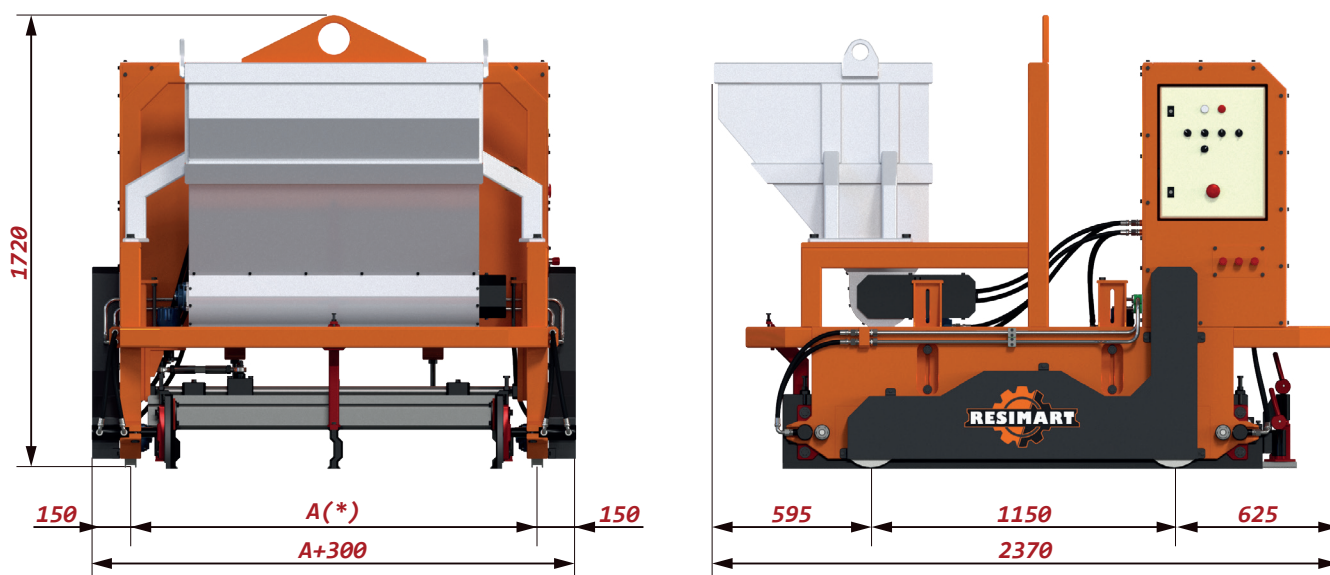
SHAPER



Weight	2500 kg
Total Power	5.5 KW
Hopper Capacity	0.5 m ³
Traslation Speed	5 m/min

Machine for shaping and finishing both the top and side surfaces of concrete wall panels, getting a nicely finished product with better presence and avoiding surface defects.

- Resimart© Shaper Machine can work with different product geometries, just replacing active side parts and adjusting the height of the trowel.
- The included hopper allowss continuous supply of specially suited concrete to form the upper surface of the product. Thus, a top layer with different color or particular aggregates can be added in order to get different finishes.
- The position of the upper trowel is adjustable in order to be able to regulate the height of the final product in a simple manner and with complete accuracy.
- The side shaper parts can be hydraulically retreated, which eases the placement and removal of the machine from the conforming beds without damaging the conformed product.
- Both the machine's translation and the shaper mechanism speeds can be easily regulated, in order to always achieve a perfect finish.



(*) According to model