

# PLOTTER

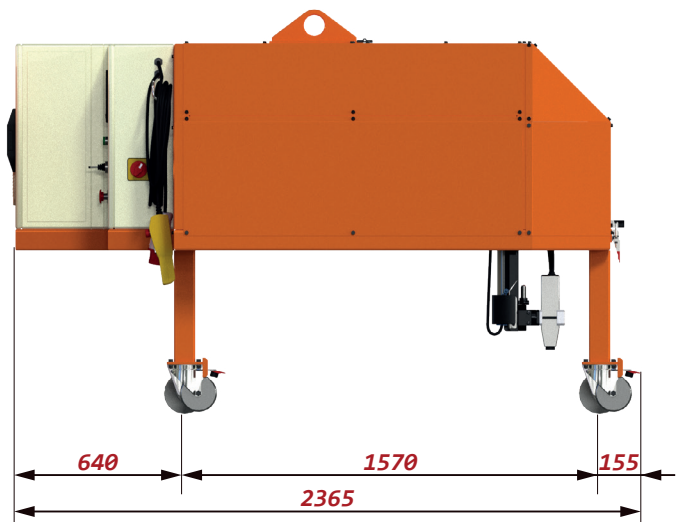
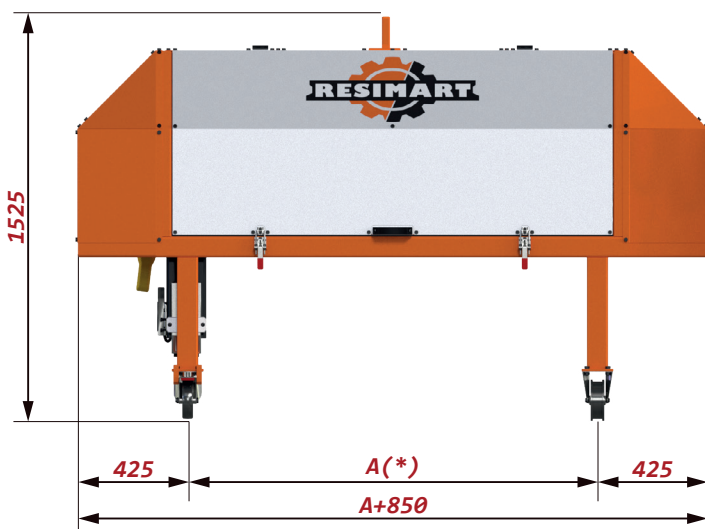


|                              |               |
|------------------------------|---------------|
| <b>Weight</b>                | 700 kg        |
| <b>Total Power</b>           | 0.73 KW       |
| <b>Printing Capacity</b>     | 500000 cr/l   |
| <b>Printing Speed</b>        | 200 mm/s      |
| <b>Printhead Positioning</b> | Manual / Auto |
| <b>Traslation System</b>     | Self / Tow    |



**Machine for marking both top and side surface of any product. Allows the printing of any type of information, according to specific legal requirements, in a fast and automated way.**

- Resimart® Marking Machine has a printhead capable of printing the required information from up to 3 cm from the concrete surface, so as to avoid problems related to irregularities in the product finish.
- Can operate independently or be attached to the Resimart® Cutter Machine. An electronic link between both machines ensures a correct marking as soon as the pieces are cut.
- High quality linear ball bearing units build the guidance mechanism for all movements, ensuring the durability of the system with minimal maintenance.
- A touch screen attached to the electrical panel allows an easy definition of the printing content, along with the type of product to mark. All the information can be stored in memory for later reuse.
- The quick drying and weatherproof ink used by the system guarantees fine performance in any environment and surface.
- A fully automatic model, powered by an electric drive, can also be delivered, allowing the marking of all items on the manufacturing beds in a stand-alone way.



(\*) According to model