

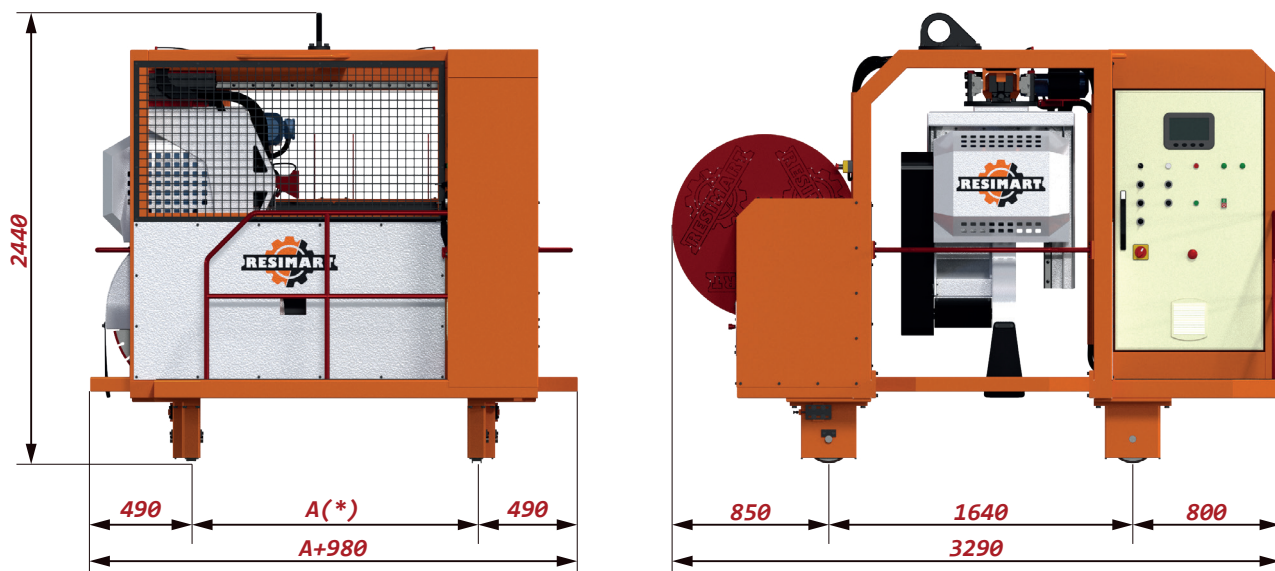
CUTTER



Weight	3650 kg
Total Power	49 KW
Cutting Power	45 KW
Cutting Speed	6 m/min
Traslation Speed	30 m/min
Max. Disc Diameter	2500 mm
Max. Cutting Height	1000 mm

Machine for straight cutting precast concrete elements, in a manual or automatically way, also allowing longitudinal cuts.

- Resimart® Cutter Machine does all its cutting movements electronically, which allows a better handling of the machine and reduces maintenance tasks and other issues related to the hydraulic systems.
- The guidance system guarantees a precise and reliable performance, with minimum wearing and maintenance.
- The machine is supplied with both electrical and hose reels, in order to guarantee its autonomy within its automatic performance
- The cutting speed is automatically controlled by means of measuring the disk electrical consumption during the cutting process.
- The movements have electronic control, allowing the proper speed reduction during cutting movements, along with faster movements in the return, optimizing working times.
- The presence of electronic starter in the engines (especially in the cutting drive) guarantees the absence of current peaks, protecting both the machine and the facilities themselves.
- The machine has an automatic cooling system, with an electronic detection system to avoid the lack of water in machine's tank during its performance.
- The optional incorporation of a laser rangefinder allows the automatic operation of the machine once the cuts are programmed with the touchscreen.



Measures corresponding to a Ø900mm disc machine, suitable for cutting heights up to 300mm.

(*) According to model