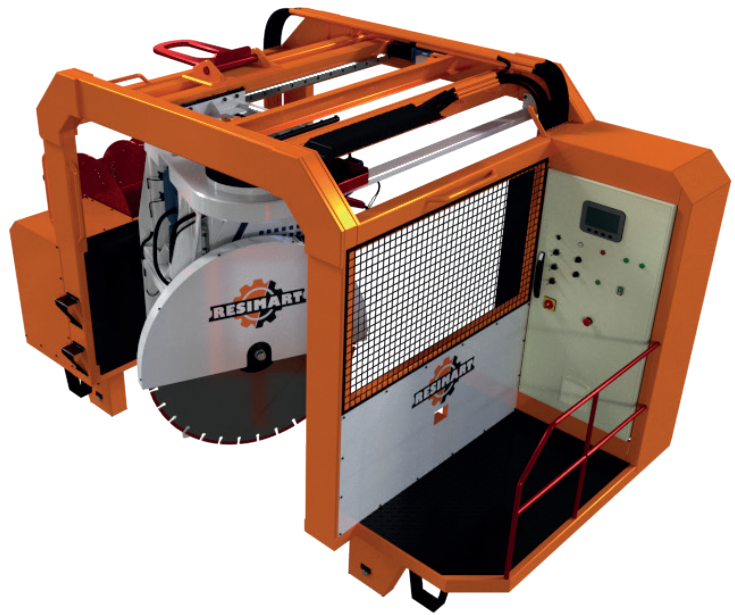


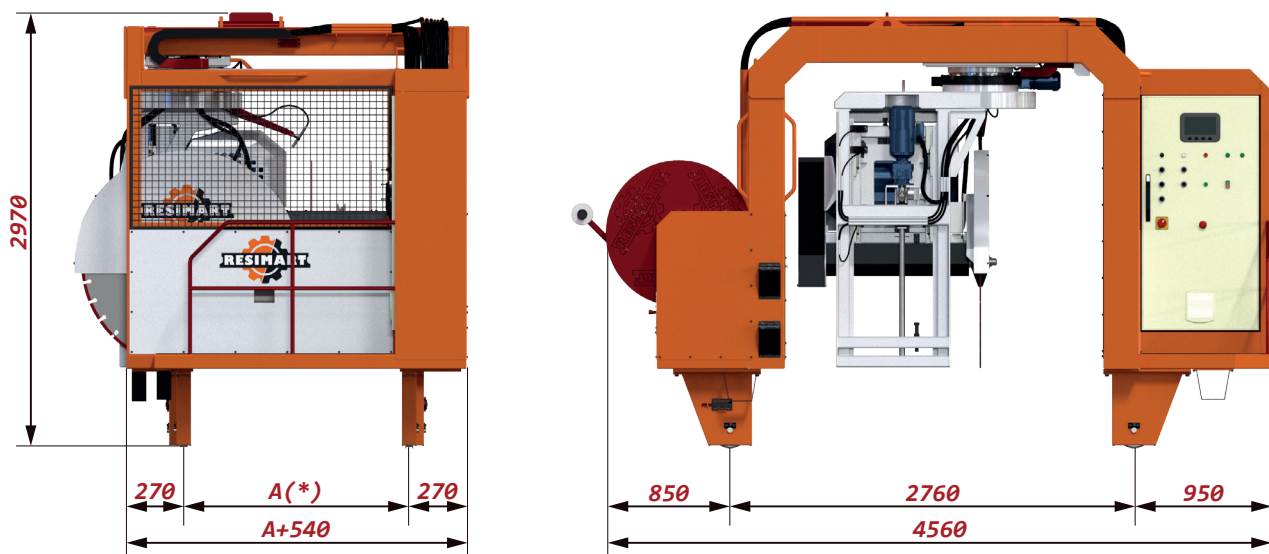
ANGULAR CUTTER



Weight	6000 kg
Total Power	63 KW
Cutting Power	55 KW
Cutting Speed	6 m/min
Traslation Speed	30 m/min
Cutting Angle	360°
Max. Disc Diameter	2500 mm
Max. Cutting Height	1000 mm

Machine to cut prestressed precast products, automatically or in a manual way, in any angle. Specially optimized for high height products up to 1000 mm.

- Resimart® Frontal Cutter Machine does all its cutting movements electronically, which allows a better handling of the machine and reduces maintenance tasks and other issues related to the hydraulic systems.
- Both the machine's translation and its transversal movement along with the head's turning are powered by electric servomotors, which allow a perfect sync in order to obtain any kind of cuts in a single operation, all automatically.
- The touch screen in the control panel allows the programming of the cuts in any angle and position in a comfortable and affective way.
- The machine is supplied with both electrical and hose reels, in order to guarantee its autonomy within its automatic performance
- The cutting speed is automatically controlled by means of measuring the disk electrical consumption during the cutting process.
- A retractable protective frame placed over the disk increases the machine's security and avoids splashes and projection problems on adjacent beds.
- The optional incorporation of a laser rangefinder allows the automatic operation of the machine once the cuts are programmed.



Measures corresponding to a Ø1500mm disc machine, suitable for cutting heights up to 500mm.

(*) According to model